

Trowin
INDUSTRIES, INC. ©

'Built Your Way'

TOW TRACTORS • PUSH BACK TRACTORS • BURDEN CARRIERS • SPEED TRUCKS • CUSTOM CHASSIS'

MARK VI

**16,000 to 25,000 lbs DBP
Industrial Tow Tractor**



PHOTO MAY SHOW OPTIONAL EQUIPMENT

Trowin Industries, Inc. • 737 Herbert St. • Chippewa Falls, WI 54729

Phone: 715-738-1690 • Fax: 715-738-1693 • info@trowin.com • www.trowin.com



'Built Your Way'

MARK VI Tow Tractor

DBP	GVW
16,000 lbs.....	21,000 lbs
7,257 kg.....	9,525 kg
18,000 lbs.....	24,000 lbs
8,163 kg.....	10,884 kg
20,000 lbs.....	26,500 lbs
9,070 kg.....	12,020 kg
25,000 lbs.....	33,000 lbs
11,340 kg.....	14,970 kg

Towing Capacity is 10 times DBP*
GVW ± 5%

FUEL: Gasoline, Diesel, JP8*, LPG, CNG, Electric, Hybrid

ENGINE: Ford WSG637, 6.8 ltr V-10, 210 HP, EFI, liquid cooled, electronic ignition, drive-by-wire

Cummins QFS3.8 T4F 3.8 ltr 4-cylinder turbo, 110 HP, liquid cooled, drive-by-wire DOC+SCR, TIER 4 FINAL

Deutz TC3.6 L4, 3.6 ltr, 4-cylinder turbo, 136 HP, liquid cooled, drive-by-wire DOC ONLY, TIER 4 FINAL

Kubota V3800, 3.8 ltr, 4-cylinder turbo, 114 HP, liquid cooled, drive-by-wire DOC+SCR+DPF, TIER 4 FINAL

Kohler KDI 3404, 3.4 ltr, 4-cylinder turbo, 134 HP, liquid cooled, drive-by-wire DOC+SCR, TIER 4 FINAL

Other engine choices available

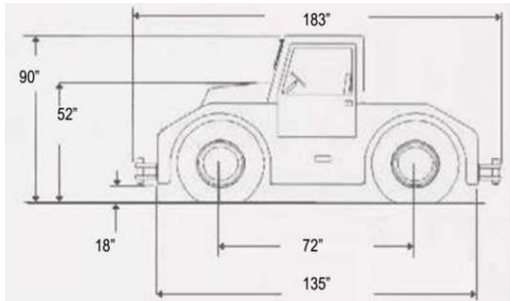
TRANSMISSION: Dana T20000 powershift, 6 speeds forward & 3 reverse

Funk (John Deere) 2000 powershift, 6 speeds forward & 3 reverse

Other transmission choices available

TIRES: 16-20K 275/70R22.5 H
25K 255/80R22.5 G

FRONT AXLE: Heavy Duty Planetary Steer, 4-wheel drive - optional



Turning Radius:
2-wheel steer – 205" (5200 mm)
4-wheel steer – 143" (3630 mm)

Width: 96" (2430 mm)

REAR AXLE: Heavy Duty Planetary Drive, 4-wheel steer - optional

SUSPENSION: Trunion Mounted axles with elastomeric bumpers

STEER SYSTEM: Full-time hydrostatic power front steering
3-mode electronic 4-wheel steer - optional

BRAKE SYSTEM: Power assisted, 4-wheel, internal wet disc, split system

PARK BRAKE: Lever operated on driveline

COOLING: Automotive style liquid cooled, rubber mounted radiator

ELECTRICAL: 12-Volt negative ground, LED recessed headlights, stop/tail and reverse lights (2ea), Keyed anti-restart ignition, horn

INSTRUMENTATION: 3.5" Color Multifunction programmable display
OTHER WARNING LIGHTS: Park brake engaged and brake system failure.

FRAME: Unitized all steel welded construction, 2" front/rear bumpers, 2" main frame members, 3/8" body panels, media blasted

FINISH: 2-part epoxy primer, 2-part polyurethane top coat. White, Yellow or Orange Standard Colors

OPTIONS: Cab, Canopy, Overhead Guard, Beacon/Strobe, Back-up Alarm, Heater/Defroster, Air Conditioning, Air Compressor, Mirrors, Turn Signals, Passenger Seat, Suspension Seats, hitches, Customer Colors

Other options available upon request



Specifications subject to change without notice
REV 10/16