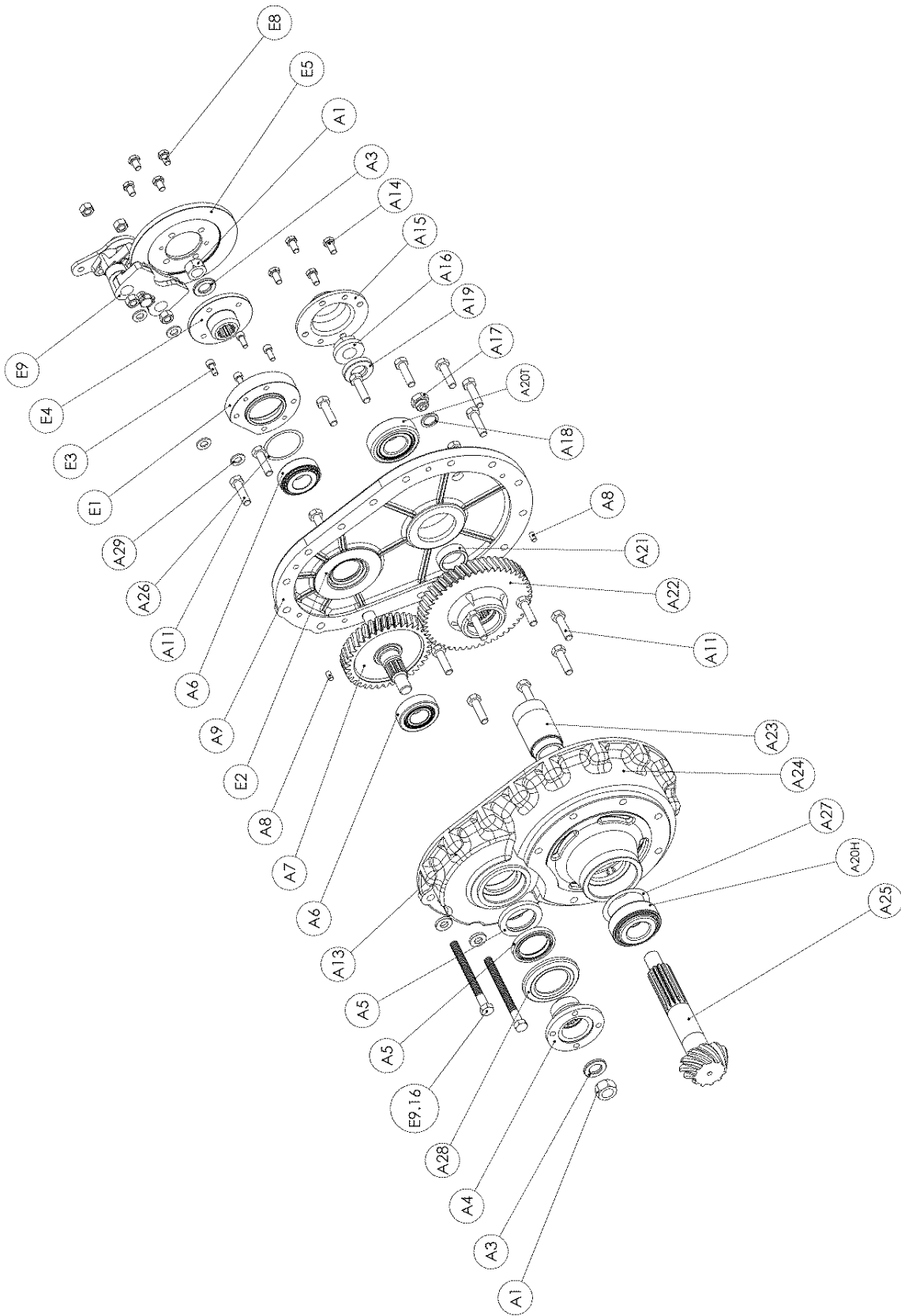


Section 'A' – Transfer Case Assembly

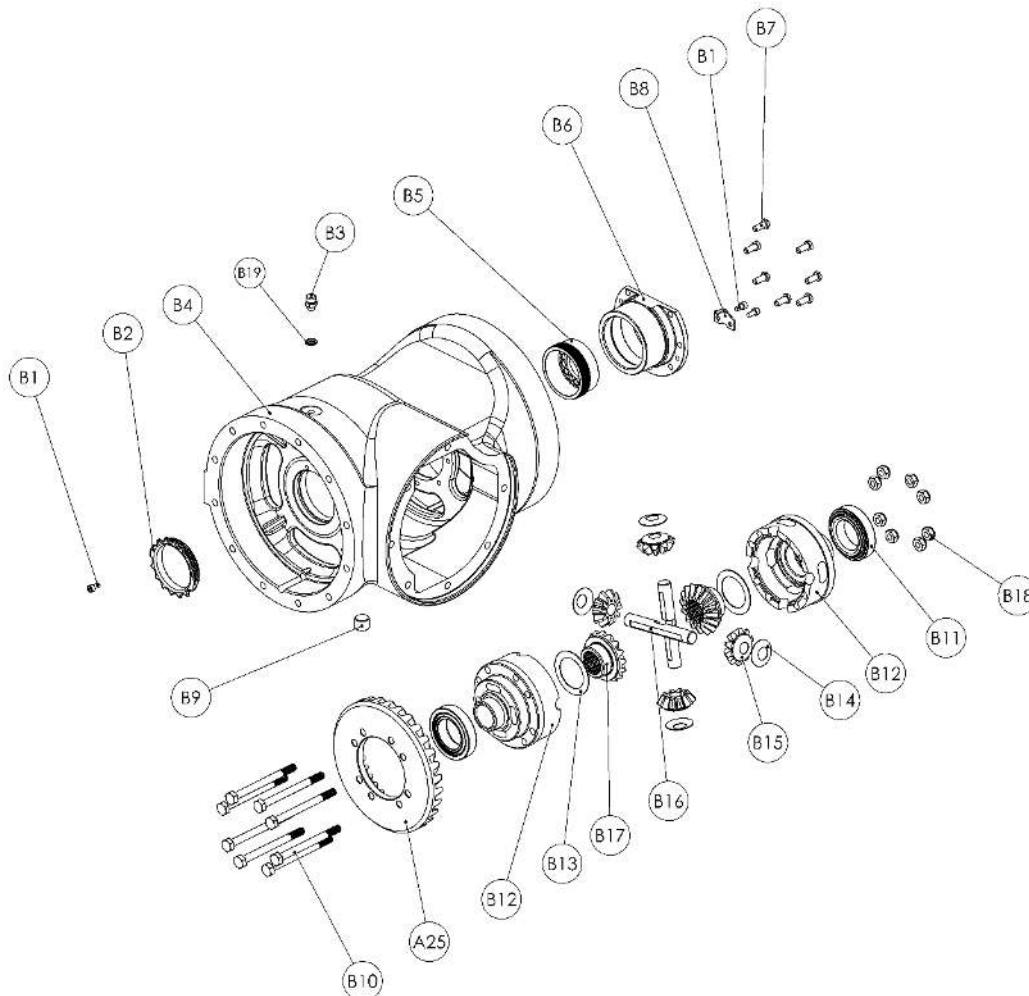
Item	Part No	Qty	Description
A1	007-0130	1	M20 Nut
A3	512-2191	1	Coupling Washer
A4	512-2180	1	HS1310 Input Coupling
A5	002-0030V	3	Coupling Seal
A6	055C020U043H	2	Taper Roller Bearing
A7	512-2331 512-2351	1	1:1 Input Pinion 512PB16T072 ONLY 1.26:1 Input Pinion 512PB20T072 ONLY
A8	0210815	2	Dowel
A9	512-2312	1	Transfer Case Rear
A11	0041212P	20	M12 x 45mm Bolt
A14	0041007P	4	M10 x 20mm Bolt
A15	512-2360	1	Lower End Cover
A16	512-2200	1	M24 Flange Nut
A17	CP1331	1	Level/Filler Plug
A18	0201714	1	Dowty Washer
A19	512-2190	1	Pinion washer
A20T	055CU024T (<i>small int radius</i>)	1	Rear Pinion Taper Roller Bearing
A20H	055CU024H (<i>large int radius</i>)	1	Front Pinion Taper Roller Bearing
A21	512-2891/Q1	1	Solid Spacer Shim
A22	512-2320 512-2340	1	1:1 Input Wheel 512PB16T072 ONLY 1.26:1 Input Wheel 512PB20T072 ONLY
A23	512-2890	1	Pinion Spacer Drawing Issue 2 must be used with axles delivered pre June 2014 * Drawing Issue 3 must be used with axles delivered post June 2014 *
A24	512-2302	1	Transfer Case Front
A25	513-9820	1	Crown Wheel & Pinion Drawing Issue 1 must be used with axles delivered pre June 2014 * Drawing Issue 2 must be used with axles delivered post June 2014 *
A26	360-2350 360-2290 360-2210	As Required	Shim 0.25 mm (0.010") Shim 0.40mm (0.016") Shim 0.30 mm (0.012")
A27	057313A 057313B 057313C	As Required	Shim 0.05 mm (0.002") Shim 0.08mm (0.003") Shim 0.25 mm (0.010")
A28	250-0910	1	Oil Seal Cover

* NOTE: DRAWING ISSUES ARE FOR INTERNAL USE ONLY. (SERIAL NUMBER IDENTIFIES THESE PARTS)



Section 'B' – Main Case and Differential Assembly

Item	Part No	Qty	Description
B1	0081312P	3	M6 x 12mm Cap Bolt
B2	512-2151	1	Bearing Adjuster Nut
B3	CP1498S/A	1	Breather
B4	512-0010	1	Main Case
B5	512-2150	1	Bearing Adjuster Nut
B6	512-0730	1	Bearing Housing
B7	0040807P	7	M8 x 20mm Bolt
B8	616-2160	1	Bearing Adjuster Lock Plate
B9	0150250	1	½" BSP Drain Plug
B10	0041024HT	8	M10 x 120mm Bolt
B11	055C028U049H	2	Taper Roller Bearing
B12	615-9521	1	Differential Case
B13	400-2110	2	Diff Wheel Thrust Washer
B14	400-2120	4	Diff Pinion Thrust Washer
B15	410-2100	4	Diff Pinion
B16	413-2130	2	Diff Spider
B17	410-2090	2	Diff Wheel
B18	0051006HT	8	M10 Nut
B19	Part of CP1498S/A	1	Sealing Washer



Section 'C' – Planet Carrier Assembly

Item	Part No	Qty	Description
C1	400-0250	3	Planet Pin
C2	400-0270	6	Thrust Washer
C3	0562005	3	Needle Roller Bearing
C4	400-0080	3	Planet Gear
C5	512-0060	1	Planet Carrier
C6	010-0030	3	Spring Pin
C7	400-1320	1	Spacer
C8	003-0120	1	Circlip
C9	512-0091 512-0093	1	Short Arm Sun Gear Long Arm Sun Gear
C10	512-0070	1	Annulus
C11	0211250	1	Dowel

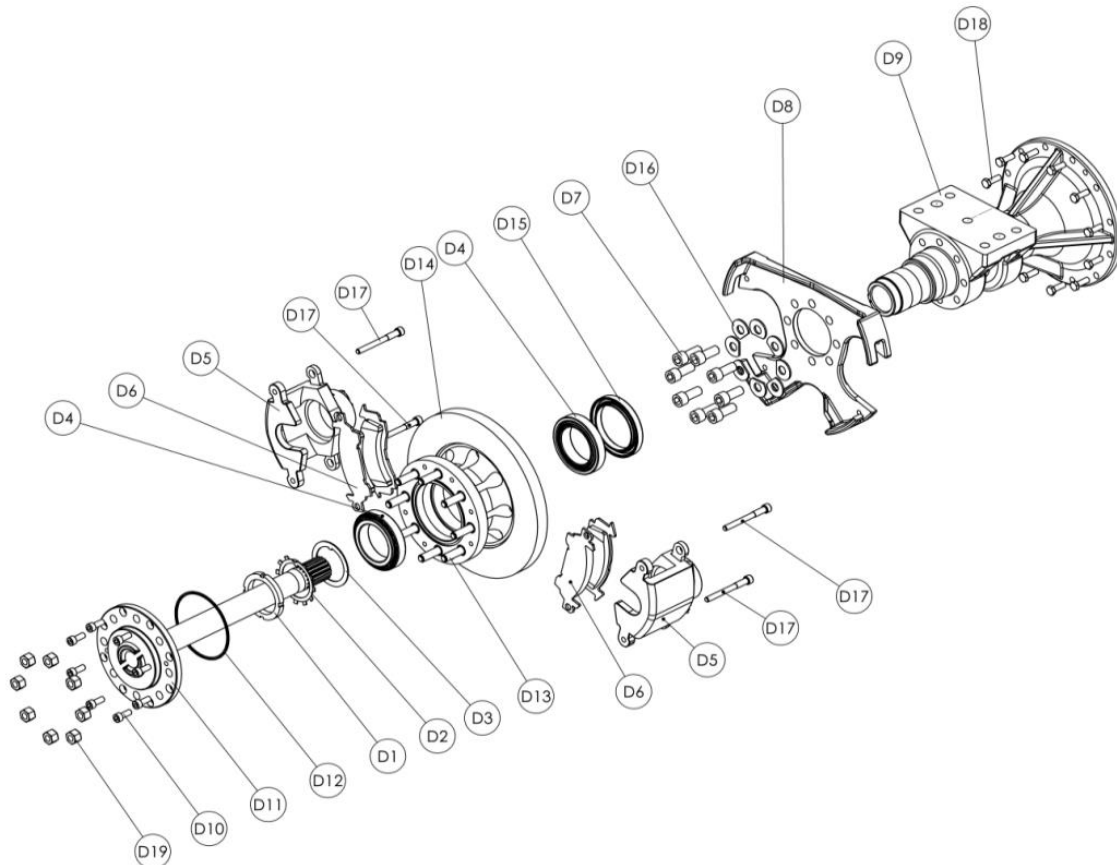
NOTE: Quantities stated per side (2 Assemblies per Axle)



Section 'D' – Axle Arm, Hub and Brake Assemblies

Item	Part No	Qty	Description
D1	007-0260	1	M70 Lock Nut
D2	009-0230	1	Locking Washer
D3	435-1440	1	Thrust Washer
D4	0540751H	2	Taper Roller Bearing
D5	512-2500	2	Brake Caliper (includes D6 & D17)
D6	512-2510	4	Brake Pad
	order 512-2510-KIT (8 Brake Pads) and replace all pads on the axle at the same time.		
D7	0081740P	8	M16 x 40mm Cap Bolt
D8	512-2400	1	Caliper Carrier
D9	513-0024 513-0025	1	Long Axle Arm (Common Pad) Short Axle Arm (Common Pad)
D10	0081525P	8	M10 x 25mm Cap Bolt
D11	512-0102 512-0103	1	Short Axle Shaft Long Axle Shaft
D12	0431303V	1	O Ring
D13	512-0452	8	9/16 UNF x 18 Wheel Stud
D14	515-0040	1	Wheel Hub / Brake Disc
D15	613-2850	1	Hub Seal
D16	512-2192	8	Caliper Carrier Washer
D17	See D5	4	Caliper Mounting Bolt
D18	0041210HTP	12	M12 x 35mm Bolt
D19	007-0400	8	9/16 UNF x 18 Wheel Nut

NOTE: Quantities stated per side (2 Assemblies per Axle)



Section 'E' – Park Brake Assembly

Item	Part No	Qty	Description
E1	512-2372	1	Seal Housing
E2	0400483V	1	Oil Seal
E3	0081420P	4	M8 x 20mm Cap Screw
E4	512-2181	1	Park Brake Flange
E5	512-0750	1	Park Brake Disc
E6	512-2191	1	Flange Washer
E7	007-0130	1	M20 Nut
E8	0041006	4	M10 x 16mm Screw
E9	512-2520	1	Park Brake Caliper
A26	360-2350	As Required	Shim 0.25 mm (0.010")
	360-2290		Shim 0.40mm (0.016")
	360-2210		Shim 0.30 mm (0.012")

